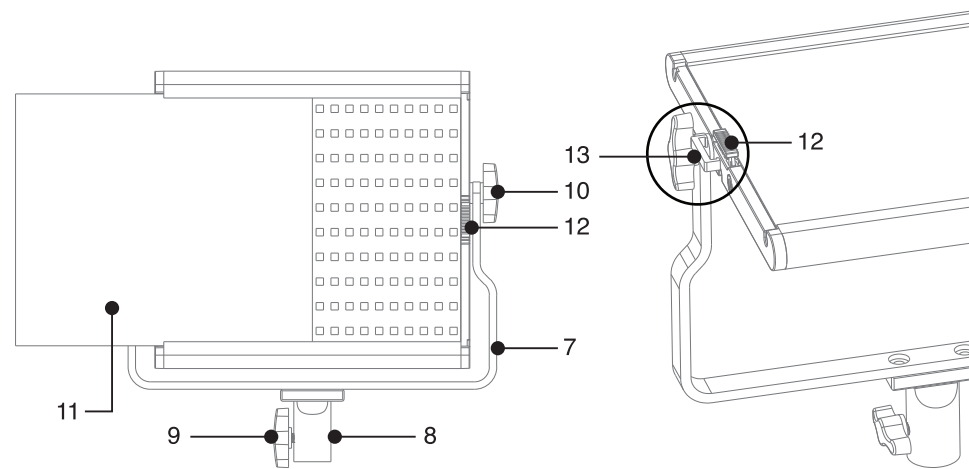
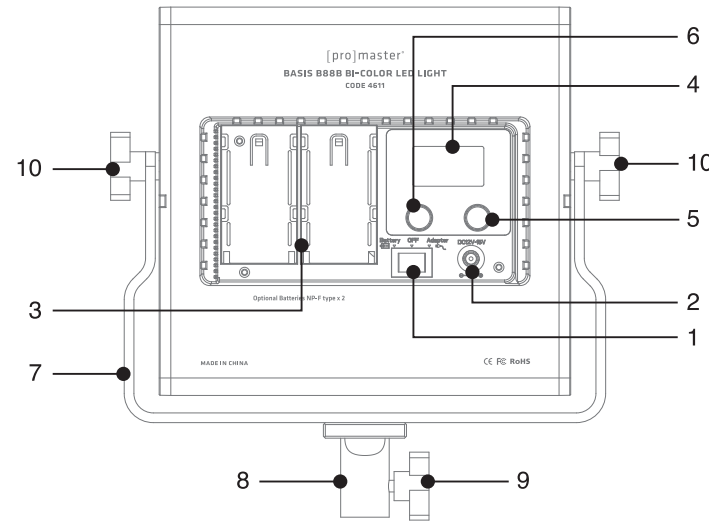


Parts Identification



- | | | |
|-------------------------------|--------------------------------|--------------------|
| 1) Battery/AC/OFF Switch | 6) Color Temperature Knob | 11) Diffuser |
| 2) AC Input Socket | 7) Yoke | 12) Diffuser Clips |
| 3) Optional Battery Locations | 8) Light Stand Mount | 13) Foam Blocks |
| 4) LCD Display | 9) Light Stand Connection Knob | |
| 5) Dimmer Knob | 10) Tilt Control Knobs | |

One Year Unconditional Warranty

If for any reason, this ProMaster product fails within ONE YEAR of the date of purchase, return this product to your ProMaster dealer and it will be exchanged for you at no charge. ProMaster products are guaranteed for ONE FULL YEAR against defects in workmanship and materials. If, at any time after one year, your ProMaster product fails under normal use, we invite you to return it to ProMaster for evaluation.

Code 4611

Made in China

WWW.PROMASTER.COM | FAIRFIELD, CT 06825



B888 [*Bi-Color LED*
Lighting Kit]

BASIS • SERIES



Before you begin

Notice two Foam Blocks (13) on the front of the light which hold the Diffuser Clips (12) in place. These foam pieces are for shipping purposes only. Remove them from behind the Diffuser Clips (12) and dispose of them.

The Diffuser Clips (12) prevent the Diffuser (11) from sliding out of the front of the light. These clips should normally be used in a position that is proud of the light’s front bezel. This is the position they are shipped in. To remove the Diffuser (11), push in one of the Diffuser Clips (12) so it is flush with the front of the light and then slide out the Diffuser (11). Once the Diffuser (11) is reinstalled, reposition the Diffuser Clip (12) to prevent it from sliding.

Mounting the Light & Using the Light Stands

The B88B is fitted with an industry-standard 5/8” light stand connector. This is identified as the Light Stand Mount (8) in the Parts Diagram. Slide it over the top of a light stand and tighten the Light Stand Connection Knob (9) for a secure fit. Be sure the Light Stand Connection Knob (9) is loosened before placing the light over a stand to ensure it makes a proper connection. After the light is connected to a stand and the knob is tightened, lift up on the light slightly to ensure it is properly connected and will not lift off the top of the stand.

To use the included light stands begin by unfolding the 3 legs at the base of each stand. Notice the adjusters near the joint at the top of each leg where it connects to the stand. Pull out on the adjuster to let the leg move freely. Push the adjuster in to make contact and hold the leg in place. There are 3 angles for each leg; and this allows you to adjust them independently for the best balance on uneven ground. On level ground, and when the maximum height of the stand is not required, choose a wide setting for the legs to achieve the most stable support.

Once the legs are set in place open the flip-lock lever on each section of the stand’s column and pull upward to extend the column the desired height. Push in each of the flip-locks to tighten the column in place. For the best stability and strength, always extend the largest diameter column sections first. In other words, work bottom to top as you extend.

Powering Up and Down

• **Using AC Power:** Locate the two cords included with this kit. One has a transformer (large plastic block) attached to it. Connect the other cord to the transformer using the figure-8 style connector. Once the two cords are securely attached to each other, connect the small, round, barrel end of the cord to the back of the light using the AC Input Socket (2). This barrel style end is found on the skinny cord that is permanently attached to the transformer. Now check that the light’s Battery/AC/OFF Switch (1) is set to the OFF position BEFORE connecting the light to power. The switch should be in the center position for this. Plug the cable into a household outlet and then move the Battery/AC/OFF Switch

(1) to the ON position (pressed-in to the right). This position is identified by one vertical line “I” on the right side of the switch and also by the word “Adapter” to the right of the switch. The LCD Display (4) will illuminate when the light is powered up. To turn the light OFF, push the Battery/AC/OFF Switch (1) to the center position. Always turn the light OFF BEFORE disconnecting it from an outlet.

• **Using Battery Power:** You will need two NP-F type batteries for this task. Be sure the batteries are of the same brand, age, and capacity. Charge the batteries using an external charger (not included). Be sure the Battery/AC/OFF Switch (1) is set to the OFF position (in the center) before connecting any batteries. Next, align one battery at a time with either of the Optional Battery Locations (3). Notice the contact pins in these slots and orient each battery to connect with them. Start with the battery at the upper end of the slot and hold it against the back of the slot before pressing down to make full contact with the pins. Once both batteries are properly installed, push the Battery/AC/OFF Switch (1) to the left, which is the battery power position. This position is identified by two vertical lines “II” on the left side of the switch and also by the word “Battery” to the left of the switch. Be advised you cannot charge batteries while installed in the light. An external charger is required for charging the batteries.

Adjusting the Brightness

Use the Dimmer Knob (5) to adjust the brightness of the light. Turn is clockwise to increase brightness or counterclockwise to decrease it. Notice the brightness is shown on the LCD Display (4) as a percentage on a scale of 0 to 100%.

Adjusting the Color Temperature

Use the Color Temperature Knob (6) to adjust the warmth or coolness of the light. Turn it clockwise to increase the color temperature (making the light appear cooler) or counterclockwise to decrease it (making the light appear warmer). Notice the color temperature, (in Kelvin degrees) is shown on the LCD Display (4). The minimum (warmest) setting is 3,200K and the highest (coolest) setting is 5,600K.

Adjusting the Light’s Placement

To tilt the light up or down, loosen both the Tilt Control Knobs (10), move the light, and then tighten the knobs. To rotate the light, loosen the Light Stand Connection Knob (9), rotate the light to the desired position and tighten the knob once again.

In The Box

2 ProMaster B88B LED Studio Lights
2 6 ½’ Folding Light Stands
2 AC Power Adapters
2 Carry Bags for lights
1 Instruction Manual

Safety Precautions

1. The B88B is not water resistant. Keep it away from rain, snow, high humidity, moisture, and liquids. Do not allow it to get wet or submerge it.
2. Do not touch with wet hands.
3. Avoid contact with solvents, gasoline, grease, oil, paint, and detergents.
4. Disconnect from power when not in use.
5. Do not leave turned ON unattended.
6. Do not disassemble, open the housing, or attempt to repair the unit yourself.
7. Do not operate near flammable liquids.
8. Use only the included AC cord and transformer for power.
9. Keep out of reach from children.
10. The light housing may become warm during use.
11. Do not dispose of in fire.
12. Do not expose to excessive heat.

Specifications

Model	4611 LEDB88B
Output Power	600 lux at 3’ / 1m 70 lux at 10’ / 3m
Luminous Flux	1,650 lm
Output Adjustment	0-100%
Color Temperature	3,200K - 5,600K +/- 200K
Color Accuracy	TLCI 90+
Beam Angle	120°
Power	AC 100 - 240 V 50 - 60 Hz
Batteries	NP-F type x 2 (not included)
Dimensions	10 ½” x 9 7/8” x 1 ¾” 26.7cm x 25.1cm x 4.5cm
Weight	1 lb 13 ½ oz 0.84 kg